



PRE-CAST PRODUCTION

PRE-CAST KERB & OTHER ROAD ITEMS



DATA SHEET

RDA SPECIFICATION

PROJECT SPECIFICATION

QUALITY PRECAST KERB STONE AND ROAD COMPONENTS

SLD STANDARD





PRE-CAST PRODUCTION

PRE-CAST KERB & OTHER ROAD ITEMS - DATA SHEETS

01. INTRODUCTION

International Construction Consortium (Pvt)Ltd is the leading of manufacturer of precast concrete kerbs and associated precast products in Sri Lanka. They are available in accordance with the RDA standars and other standard specifications also.

The kerb are manufactured with high quality controlling and quality assurance systems under engineer supervisions.

This publication provides the information necessary to specify precast concrete kerb for all of these applications.



Standard Kerb - K1 Type



Dropper Kerb - K3/K4 Type



Dropped Kerb - K2 Type



Inlet Kerb - From K1 Type



Safety Kerb



PRE-CAST PRODUCTION

PRE-CAST KERB & OTHER ROAD ITEMS - DATA SHEETS

02. GENERAL SPECIFICATIONS

STANDARD SPECIFICATION

RDA Standard
Project Standard

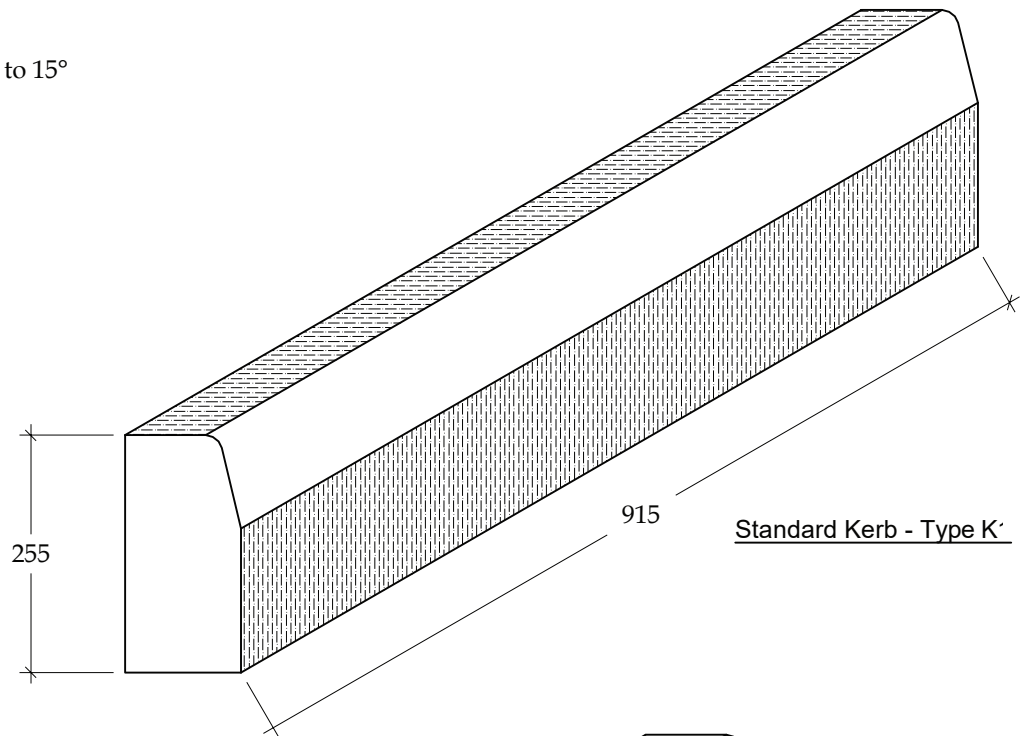
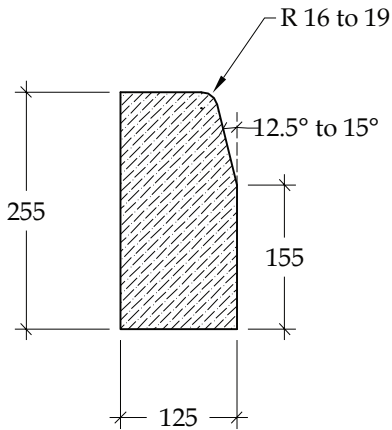
PRODUCTION SPECIFICATION

Dimensions: Refer the table
Concrete Strength(N/mm²): Grade 25/30/40
Mould type - Steel/Fiber/Timber

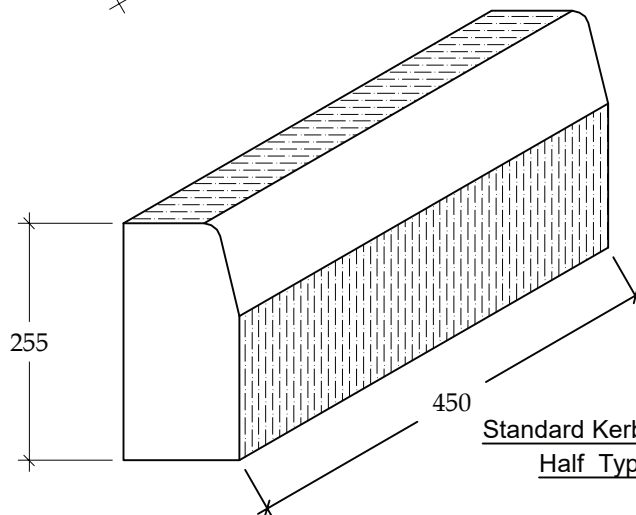
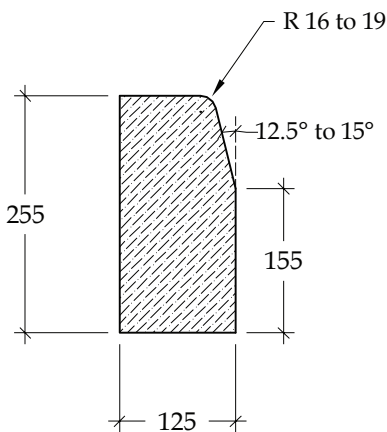
RAW MATERIAL SPECIFICATION

Cement: SLS 107 : 2015
Fine Aggregate: BS 882 - 1992
Coarse Aggregate: BS 882 - 1992
Reinforcement Steel : SLS 375 : 2009
(Mild steel)
Water : BS 3148 - 1980

03. PRODUCTION RANGE - PRECAST KERB ITEMS



Standard Kerb - Type K'

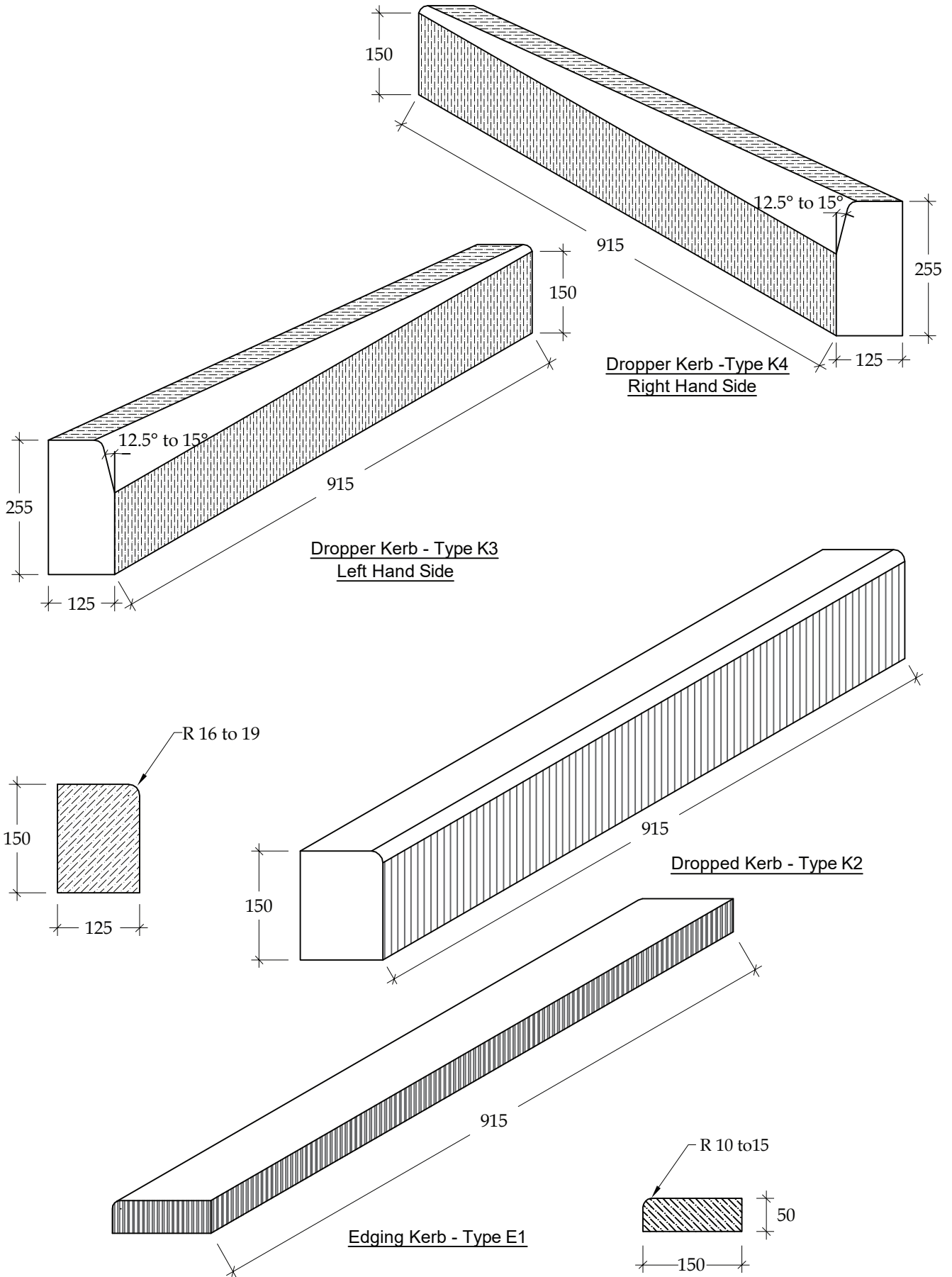


Standard Kerb - Type K1
Half Type



PRE-CAST PRODUCTION

PRE-CAST KERB & OTHER ROAD ITEMS - DATA SHEETS





PRE-CAST PRODUCTION

PRE-CAST KERB & OTHER ROAD ITEMS - DATA SHEETS

Kerb arrangement between road and pedestrian way.



- Edging kerb for pedestrian edge
- Pedestrians way
- Dropped Kerb - Type K2
- Dropper Kerb - Type K3/K4
- Standard Kerb - Type K1

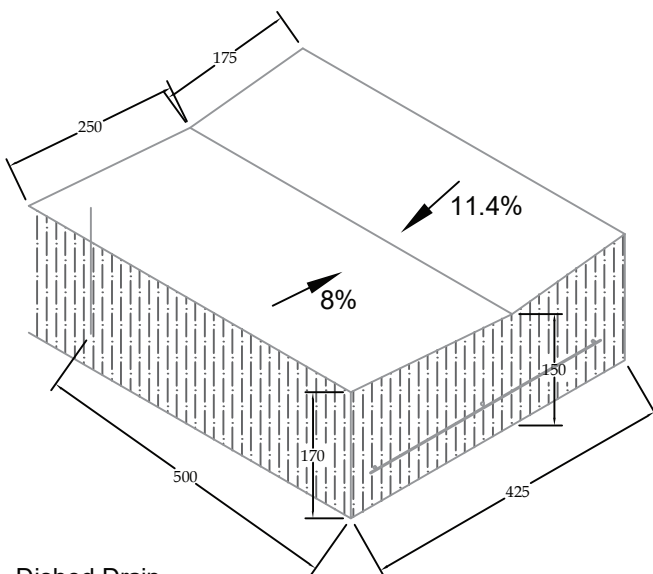
Table 01

Product Type	Weight (kg) Avg.
Standard kerb	70
Standard kerb - Half type	35
Dropper kerb - K3/K4 type	55
Dropped kerb - K2	42
Inlet kerb	28
Edging kerb - E1	15

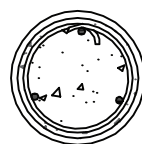
Table 02

Product Type	Weight (kg) Avg.
Dish Drain	82
Precast Bollard	83

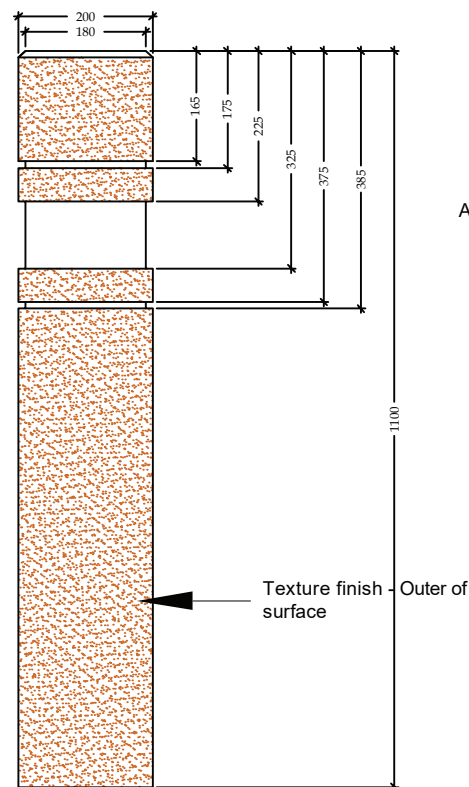
04. PRODUCTION RANGE - PRECAST OTHER PRODUCT



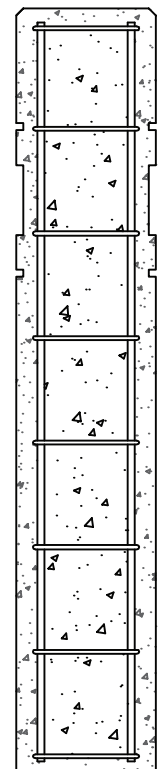
Dished Drain



Section - AA



Precast Road Bollard



05.HANDLING AND TRANSPORTATION

While the transportation of products, they should be well tied to avoid damages due to clashes. (fig. 01)

Do not stand under during the lifting or handling..

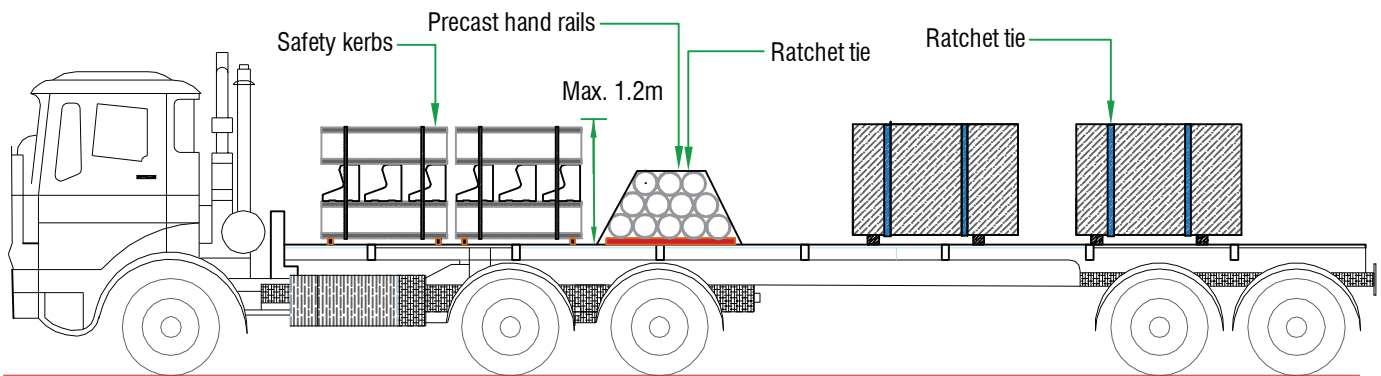


Fig.01 - Correct loading method for transportation.

06.TESTING & INSPECTION

Material test report and mill report

Concrete crushing strength. (test cube strength)