



INTERNATIONAL CONSTRUCTION CONSORTIUM (PVT) LTD

PRE-CAST PRODUCTION

PRE-CAST PAVING BLOCKS & PAVING SLABS



DATA SHEET



ICC PRECAST
FAST - QUALITY - INNOVATIVE



PRE-CAST PRODUCTION

PAVING BLOCKS/PAVING SLABS

DATA SHEET

01. INTRODUCTION

International Construction Consortium (Pvt)Ltd is the leading of manufacturer of external paving blocks and associated paving block products in Sri Lanka.They are available in a wide range of sizes.

Paving blocks have become a superior alternative to floor concreting and concrete slabs.The selection of paving blocks can be applied in parking areas,pedestrian areas in houses,Roads and pathways or any other specified compound areas.

The blocks are manufactured by using paving manufacturing machine with high quality controlling and quality assurance systems under engineer supervisions.

This publication provides the information necessary to specify the paving blocks and slabs for all of these applications.



Figure 01



Figure 02

02. GENERAL SPECIFICATIONS

ACCORDANCE STANDARD

SLS Standard: 1425 Part 1&2 :2011

PRODUCTION SPECIFICATION

Dimensions: Refer the table
Concrete Strength: 15 -50 N/mm²
Block Type : Uni type / cobble type
Eliana type

RAW MATERIAL SPECIFICATION

Cement: SLS 107 : 2015
Fine Aggregate: BS 882 - 1992
Coarse Aggregate: BS 882 - 1992
Water : BS 3148 - 1980

03. PRODUCTION RANGE

Interlocking paving Blocks



Uni type paving block

Figure 03



Cobble paving block

Figure 04



Eliana paving block

Figure 05



PRE-CAST PRODUCTION

PAVING BLOCKS/PAVING SLABS

DATA SHEET

04. DIMENSION DETAILS - INTERLOCKING PAVING

Uni type paving block
(Non regular type)

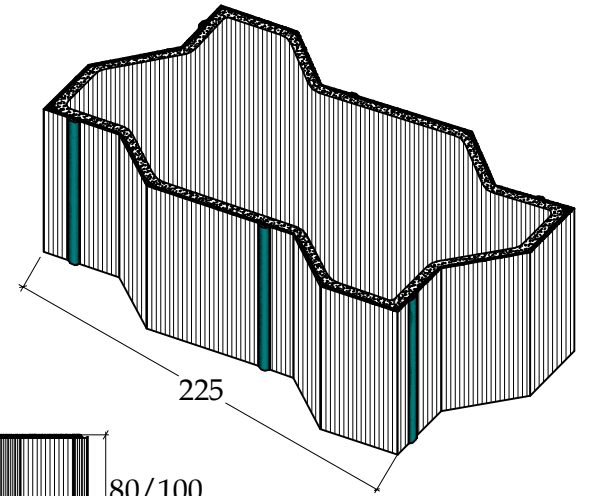
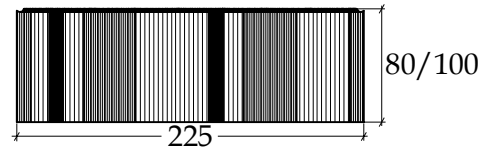
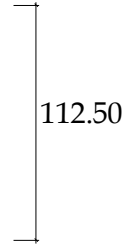
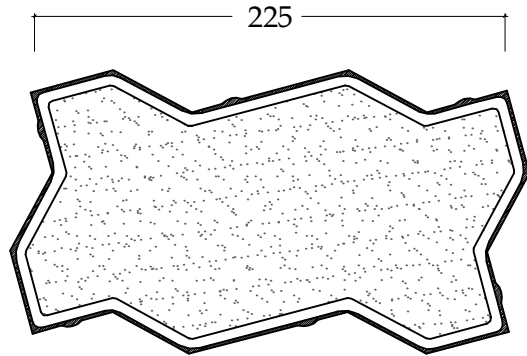
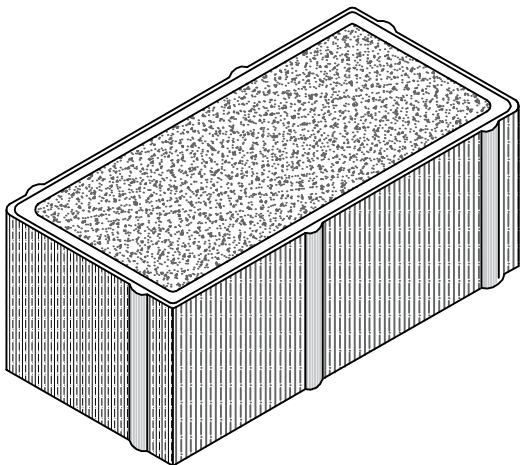


Table 01 - General details

Paving Block Type	Length (mm)	Wide (mm)	Thickness (mm)	Quantity of 1 m ² (Nos)	Weigh per each block (kg)-Avg	Compressive strength (N/mm ²)	Available colour type
Uni	225	112.5	80/100	40	4.3/5.25	15/30/40 /50	Natural/Colour



cobble paving block
(Regular type)

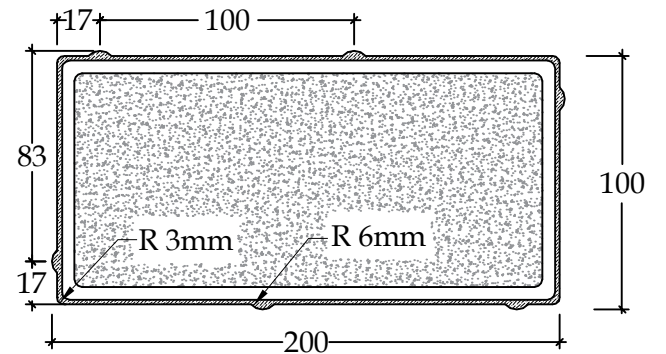
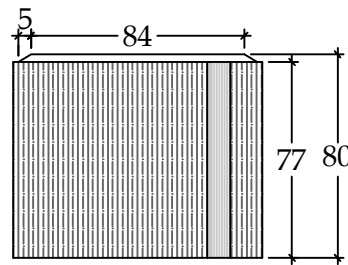
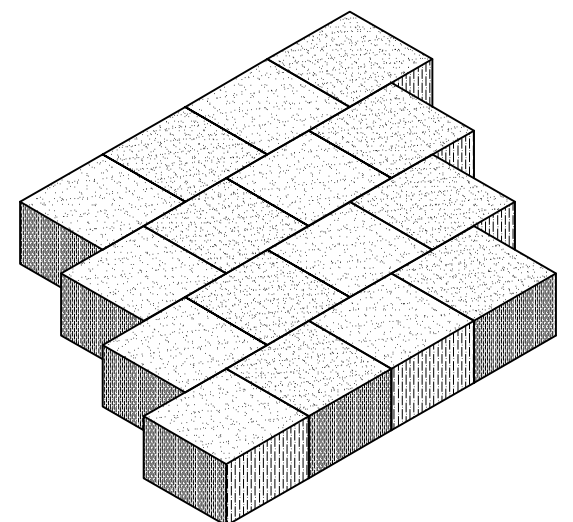
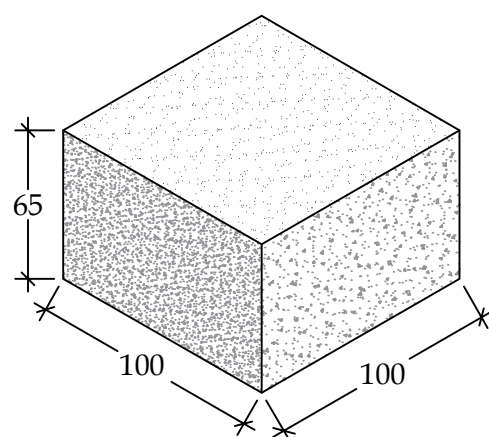
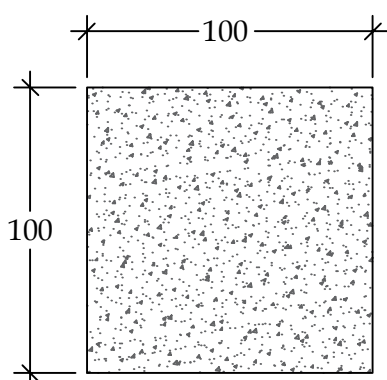


Table 02 - General details

Paving Block Type	Length (mm)	Wide (mm)	Thickness (mm)	Quantity of 1 m ² (Nos)	Weigh per each block (kg)-Avg	Compressive strength (N/mm ²)	Available colour type
Cobble	200	100	60/80	50	2.5/3.4	15/30 /40	Natural/Colour



Eliana paving block
(Regular type)



PRE-CAST PRODUCTION

PAVING BLOCKS/PAVING SLABS

DATA SHEET

Table 03 - General details

Paving Block Type	Length (mm)	Wide (mm)	Thickness (mm)	Quantity of 1 m ² (Nos)	Weigh per each block (kg)-Avg	Compressive strength (N /mm ²)	Available colour type
Eliana	100	100	65	100	1.4	15 /30	Natural

Uni type and Cobble type are in accordance with the SLS specification.

The maximum dimensional deviation for paving blocks ensured in accordance with SLS 1425 :2011

05. PRODUCTION RANGE - PAVING SLAB

Paving Slabs - (reinforced or non-reinforced)



Figure 05

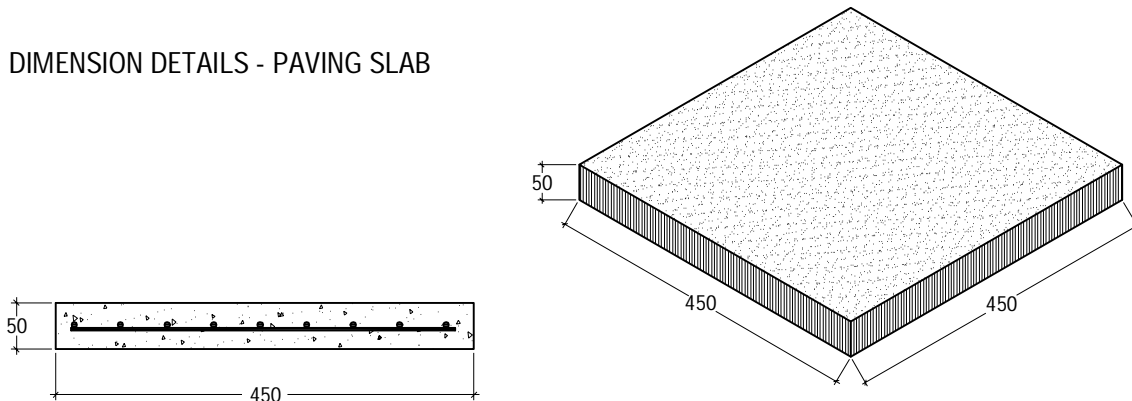


Figure 06

Table 04 - General details

Paving Slab Type	Length (mm)	Wide (mm)	Thickness (mm)	Quantity of 1 m ² (Nos)	Weigh per each block (kg)-Avg	Compressive strength (N /mm ²)	Available colour type
Square	450	450	50	05	25	30/40	Natural-Rough Surface
Square	300	300	40	11	09	30/40	Natural-Rough Surface

06. DIMENSION DETAILS - PAVING SLAB





PRE-CAST PRODUCTION

PAVING BLOCKS/PAVING SLABS

DATA SHEET

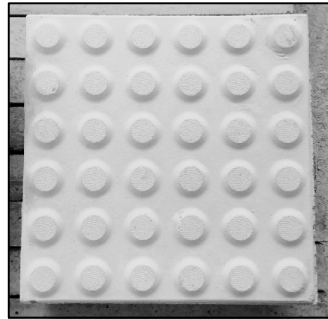
07. PRODUCTION RANGE - TAC TILE

Tac tile Paving



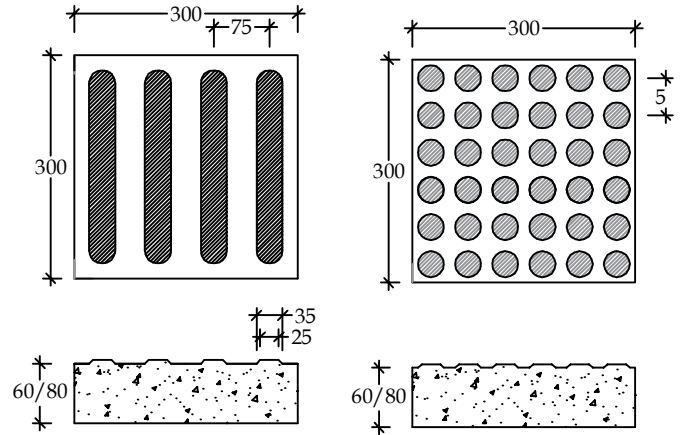
Direction Tile

Figure 07



Warning Tile

Figure 08



Direction Tile

Warning Tile

Table 05 - General details- tac tile

Paving Slab Type	Length (mm)	Wide (mm)	Thickness (mm)	Quantity of 1 m ² (Nos)	Weigh per each block (kg)-Avg	Compressive strength (N /mm ²)	Available colour type
Direction Tile	300	300	60/80	11	13/17.5	40	Yelow/White
Warning Tile	300	300	60/80	11	13/17.5	40	Yelow/White

08. PRODUCTION RANGE - GRASS PAVING - 200x200 PAVING



Figure 09

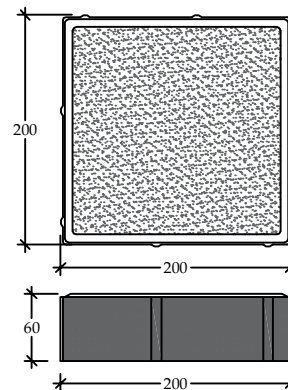
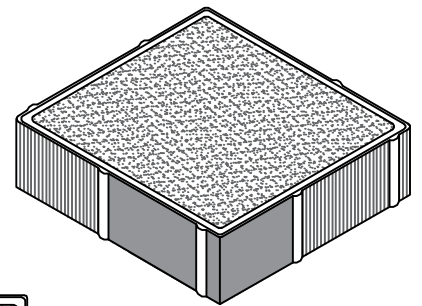


Table 06 - General details- 200x200 paving

Grass Paving Type	Length (mm)	Wide (mm)	Thickness (mm)	Quantity of 1 m ² (Nos)	Weigh per each block (kg)-Avg	Compressive strength (N /mm ²)	Available colour type
	200	200	60	25	5.5	15	Natural/Colour



PRE-CAST PRODUCTION

CEMENT BLOCKS

DATA SHEET

08. PRODUCTION RANGE - GRASS PAVING

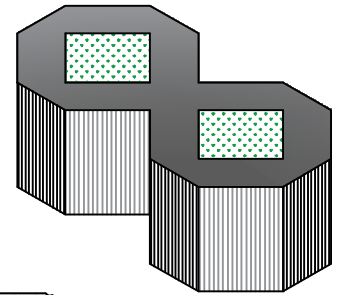
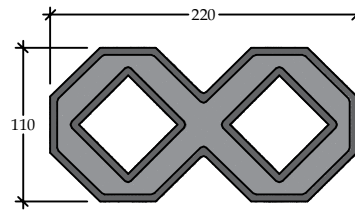


Table 07 - General details

Grass Paving Type	Length (mm)	Wide (mm)	Thickness (mm)	Quantity of 1 m ² (Nos)	Weigh per each block (kg)-Avg	Compressive strength (N /mm ²)	Available colour type
	220	110	75	41	3.5	15	Natural

09. HANDLING AND TRANSPORTATION



Figure 10

When the transportation of paving, they should be well packed and tightened to avoid the any damage due to clashes.

(Fig. 08,09)



Figure 11



Figure 12

Laying bed thickness is dependant by the site compound condition.

10. TESTING & INSPECTION

Material test report and mill report

Compressive strength. SLS 855 : part 2:1989